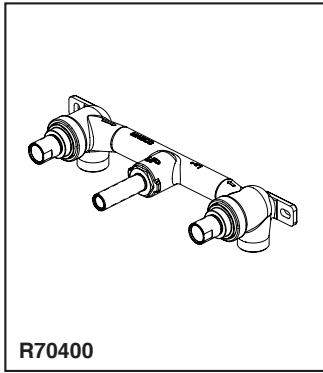


# BRIZO®

## TWO HANDLE WALL MOUNT TUB FILLER ROUGH



Submitted Model No.: \_\_\_\_\_

Specific Features: \_\_\_\_\_

- R70400
- 1/2" NPT Rough-In

### STANDARD SPECIFICATIONS

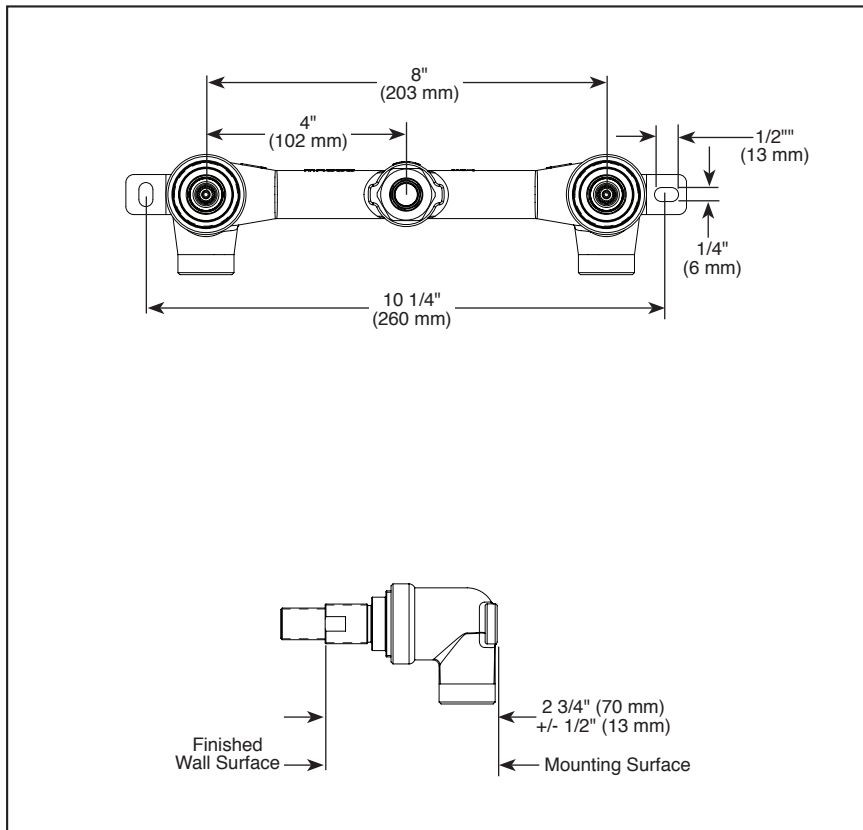
- 1/2" NPT female inlets
- Lead free brass body
- Must order trim separately
- Product ships with valves and plasterguards
- 3-hole; 8" center-to-center

### WARRANTY

- Lifetime limited warranty on parts (other than electronic parts and batteries) and finishes: or, for commercial users, for 5 years from date of purchase.
- 5 year limited warranty on electronic parts (other than batteries); or, for commercial users, for 1 year from the date of purchase. No warranty is provided on batteries.

### COMPLIES WITH:

- ASME A112.18.1 / CSA B125.1



Brizo Kitchen & Bath Company reserves the right (1) to make changes in specifications and materials, and (2) to change or discontinue models, both without notice or obligation. Dimensions are for reference only. See current full-line price book or [www.brizo.com](http://www.brizo.com) for finish options and product availability.

BSP-L-R70400 Rev. B

### Brizo Kitchen & Bath Company

55 E. 111th Street, Indianapolis, Indiana 46280  
350 South Edgeware Road, St. Thomas, ON N5P 4L1  
© 2017 Brizo Kitchen & Bath Company